

PERKO, INC

Miami, FL 33169-5707

Drawn By: _____
 Scale: XX:XX
 Date: 06-23-99
 Drawing Number

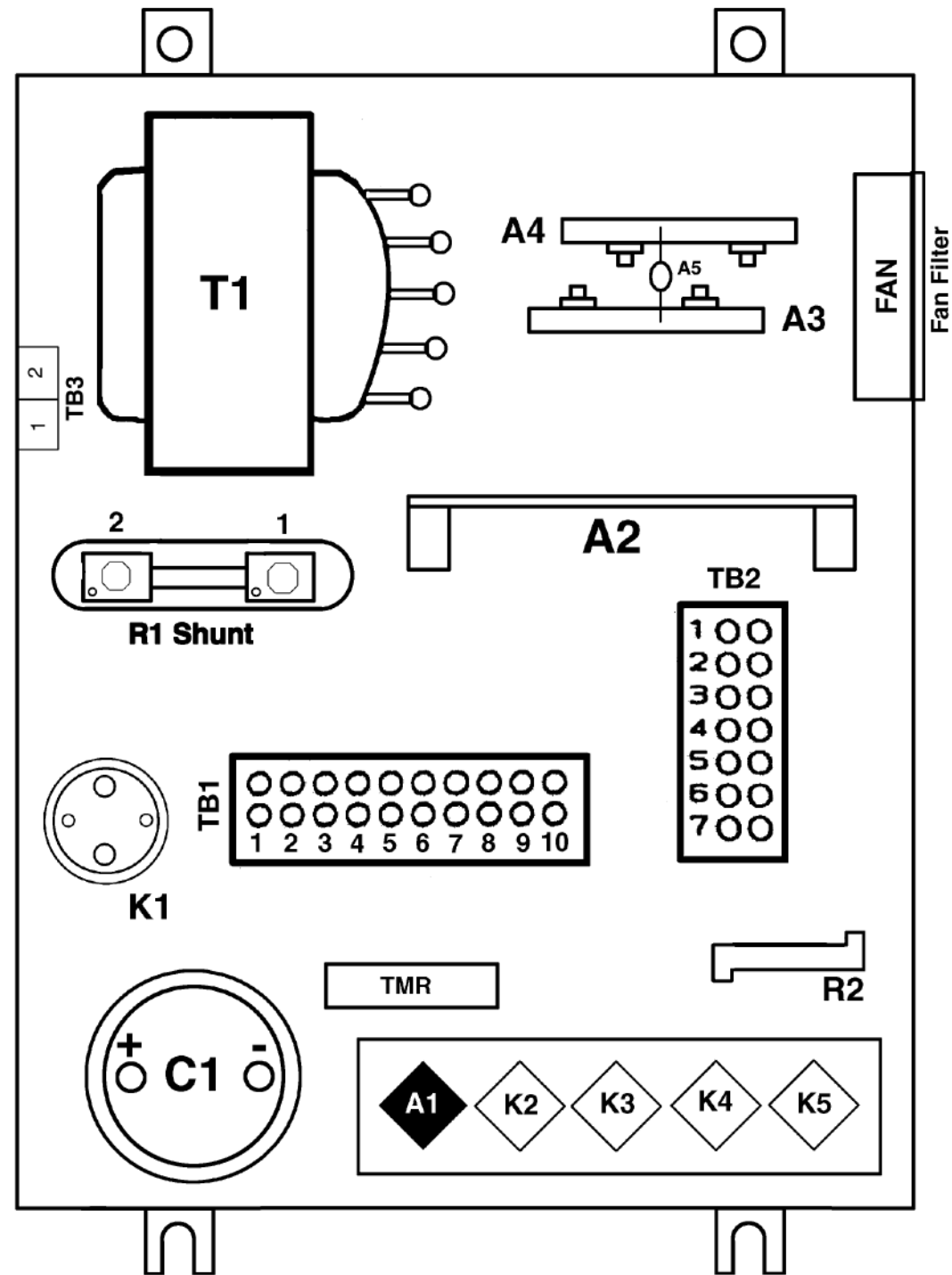
9304-1-A

Drawing Name:

XR Series 500 Watt Marine Searchlight

Outline Drawing, Sheet 1 of 1

Power Supply: Approx 75 Lbs. 9511-000 120VAC



Location	Description	PERKO Part Number	S&T Part Number
A1	Chopper Assembly	9510-020	104C787G2
A4	Rectifier Diode 1N2133	9510-015	S41-801-011
A3	Rectifier Diode 1N2133R	9510-030	S41-801-111
A2	Printed Circuit Board Assembly	9510-025	108B642G1
C1	Filter Capacitor	9510-039	105A988P98
A5	Isolation Capacitor	9510-007	CMR07F203J0DL
Door	20A Circuit Breaker	9511-014	105B990P4
Fan	Cooling Fan	9510-011	110C119FAN
Fan	Cooling Fan Filter	9510-032	104A861P3
K1	MAIN Contactor	9510-002	110A604
K2	Ignite Relay	9510-026	105B053P2
K5	Control Relay	9510-037	103A387P2
K4	FAN Relay	9510-037	103A387P2
K3	Timer Relay	9510-037	103A387P2
Door	Elapsed Time Meter	9510-003	103A351
R1	Shunt Resistor	9510-033	104A636
R2	Resistor	9510-073	-----
T1	Power Transformer (110 VAC)	9511-013	108D743G2
TB1	Terminal Block 10 Term	9510-034	T30-003-010
TB2	Terminal Block 7 Term	9551-038	T30-003007
TB3	Terminal Block 2 Term	0883TBKL	-----
TMR	Timer Assembly	9510-012	109B589

PERKO, INC
Miami, FL 33169-5707

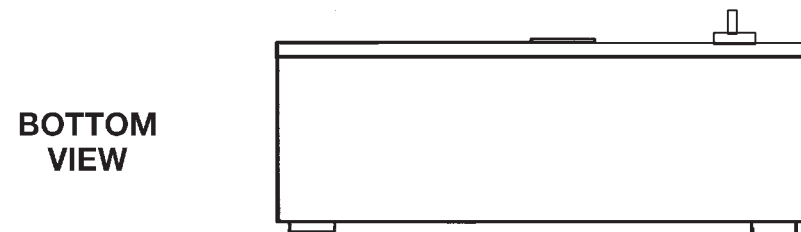
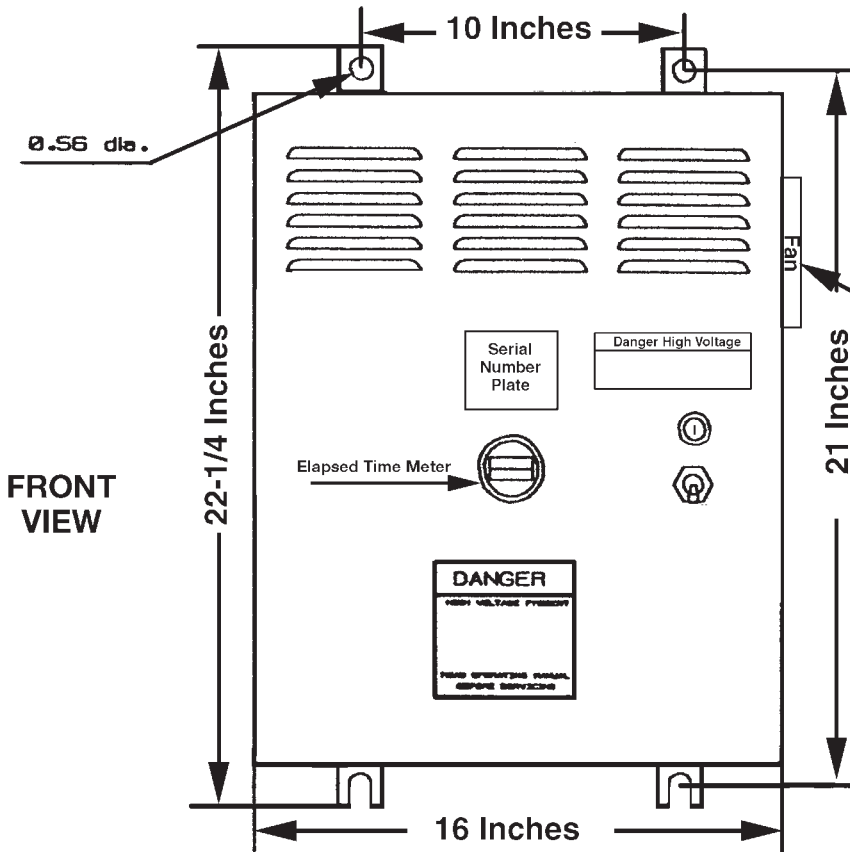
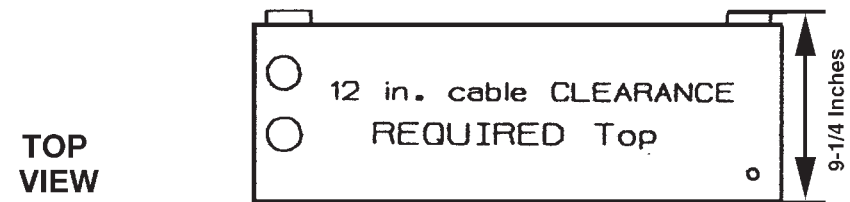
Drawn By: _____
Scale: XX :XX
Date: 02-24-04
Drawing Number
9304-2-B

Drawing Name:

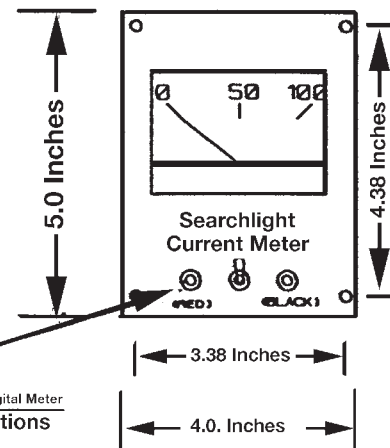
**XR Series 500 Watt Marine Searchlight
with 110 VAC Power Supply**

Power Supply Exploded Views, Sheet 1 of 1

Power Supply: Approx 75 Lbs. 9511-000 120VAC

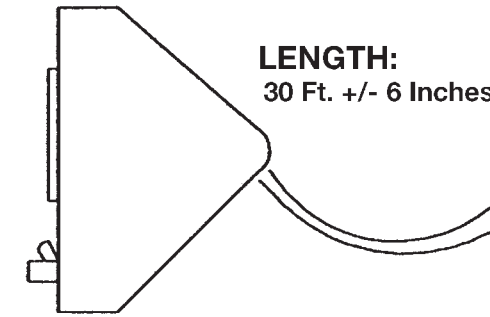


To Be Mounted Near Pilot Station

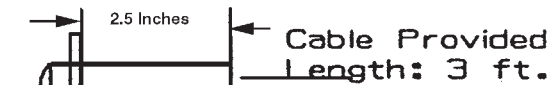
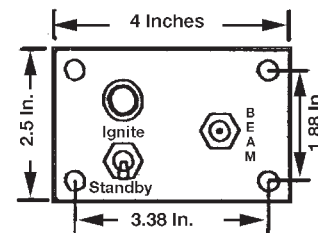


WARNING !!!
Cable Provided **MUST NOT**
BE CUT or EXTENDED

LENGTH:
30 Ft. +/- 6 Inches.



Remote Ammeter 9510-009
Replacement Ammeter 9510-024



To Be Mounted On Pilot Console

CONTROL PANEL → 9510-010
IGNITE Switch → 9510-005
BEAM Switch → 9510-006
Lamp Holder → 9510-021
Replacement Lamp → 9510-018
Replacement Lens → 9510-014

PERKO, INC
Miami, FL 33169-5707

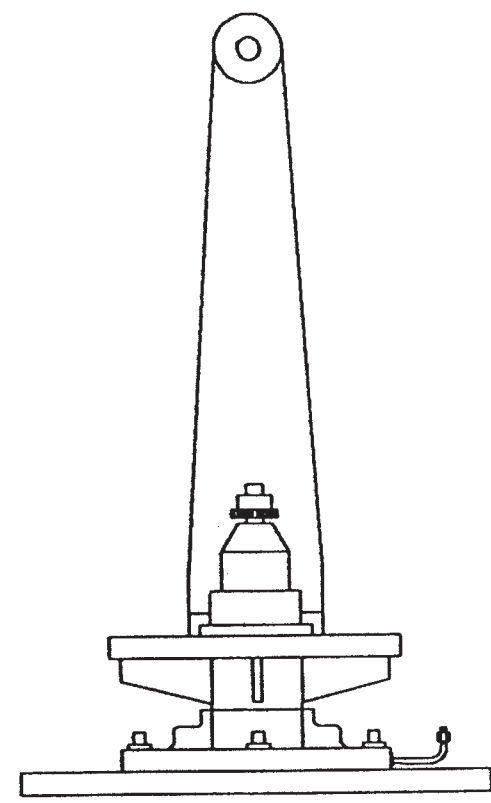
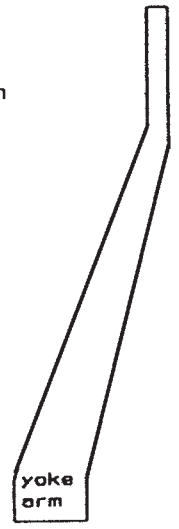
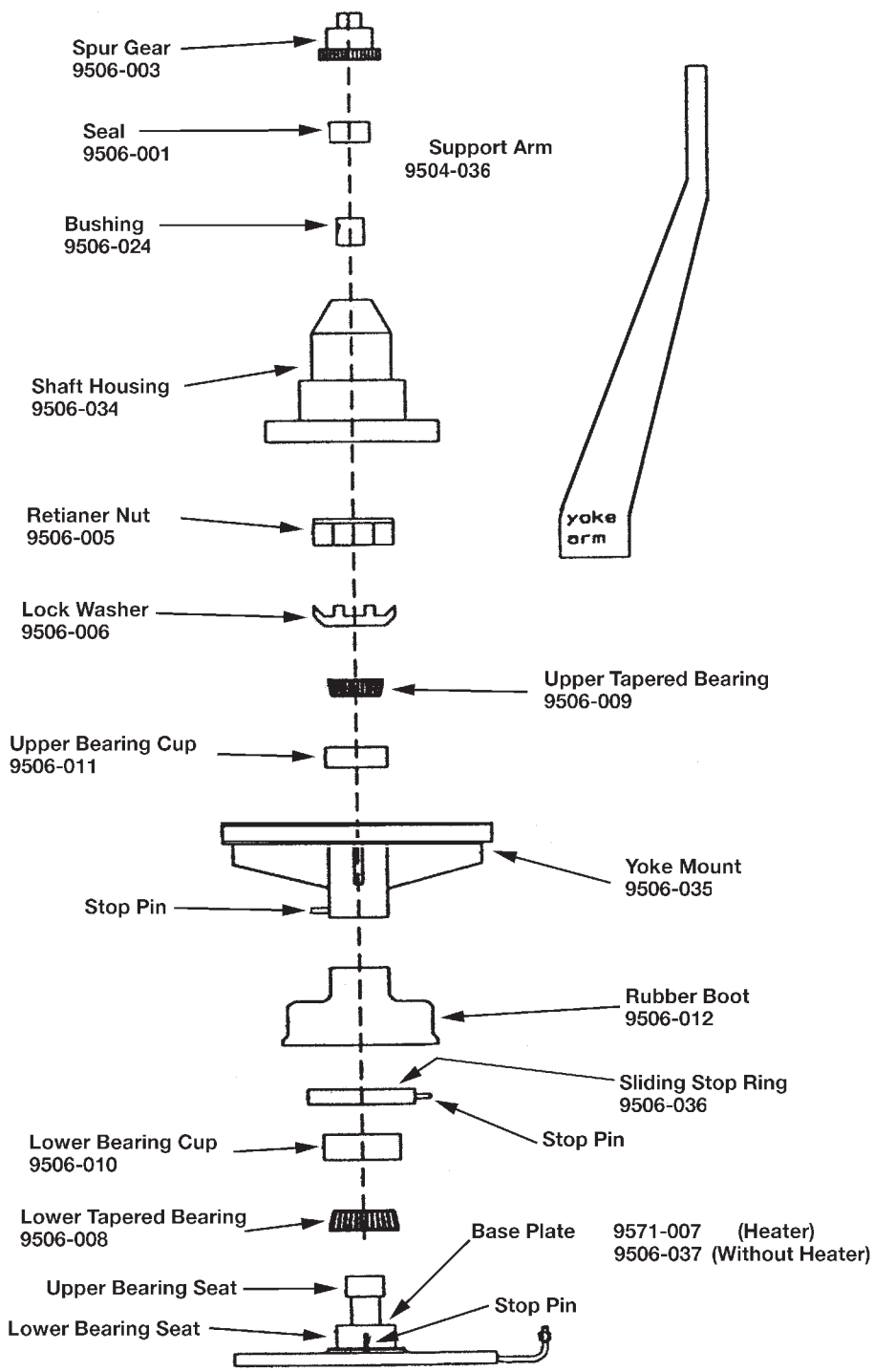
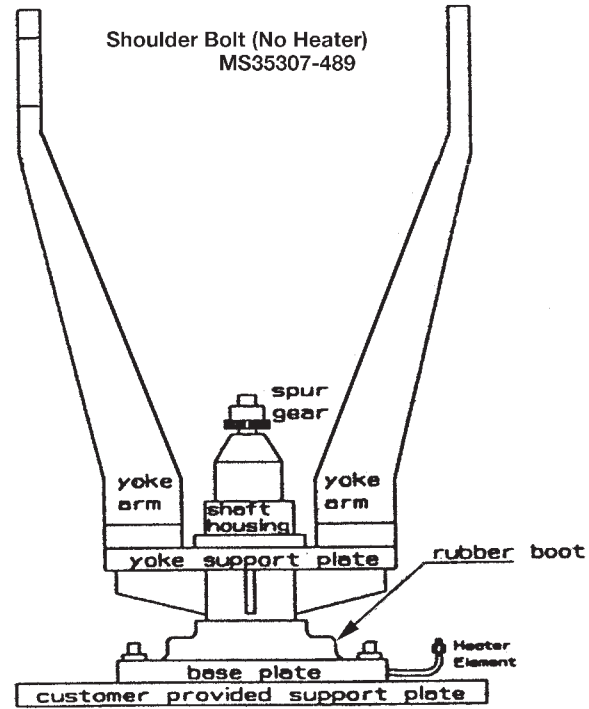
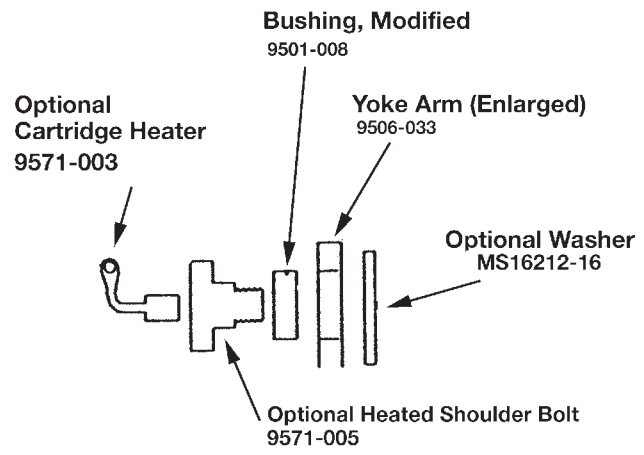
Drawn By: _____
Scale: XX :XX
Date: 06-23-99
Drawing Number
9304-3-A

Drawing Name:

XR Series 500 Watt Marine Searchlight

Power Supply Outline Drawing, Sheet 1 of 1

Yoke & Base: 9508-000

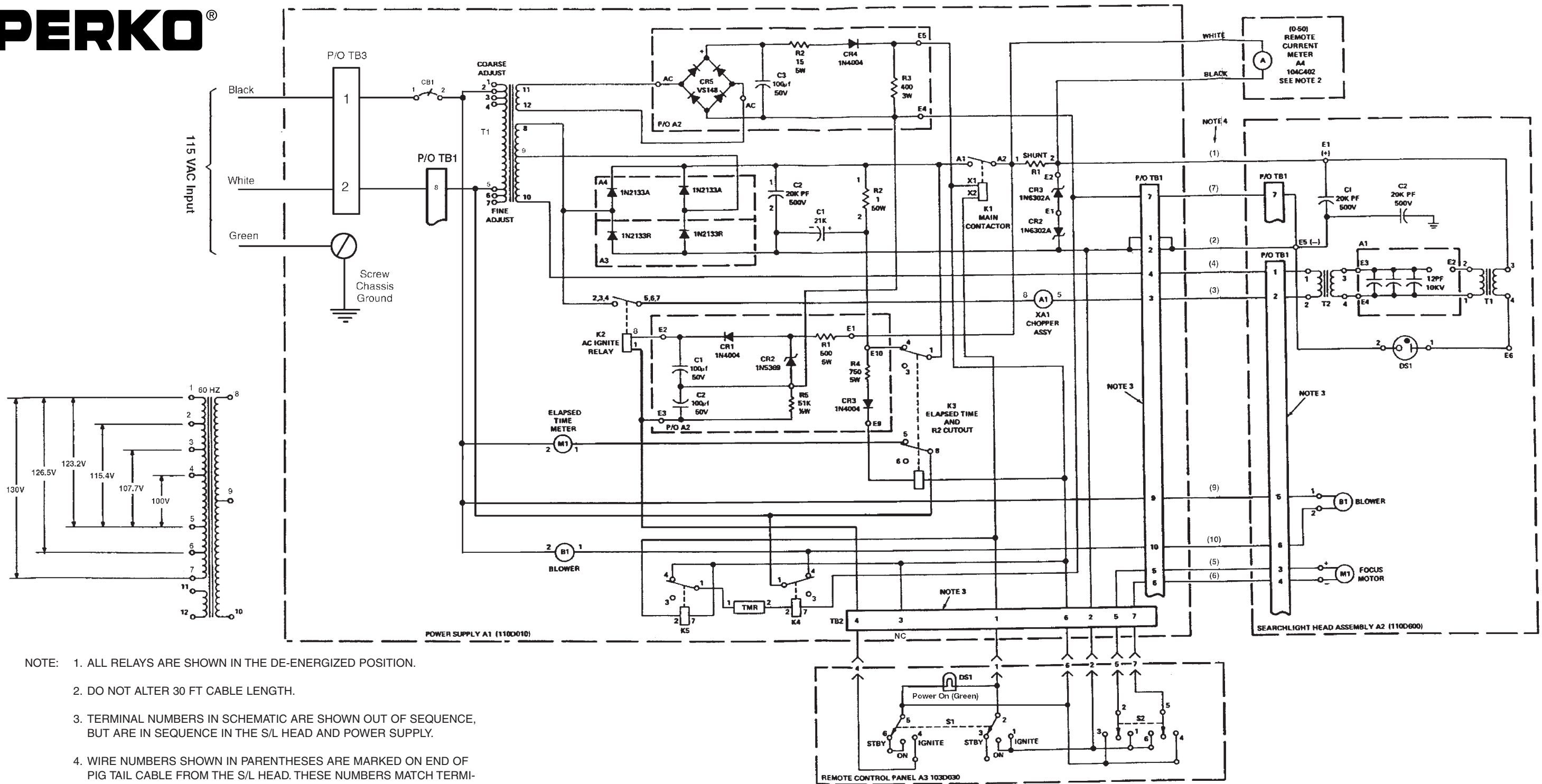


PERKO, INC
 Miami, FL 33169-5707

Drawn By: _____
 Scale: XX :XX
 Date: 06-23-99
 Drawing Number
9304-4-A

Drawing Name:
XR Series 500 Watt Marine Searchlight
 Yoke & Base, Sheet 1 of 1

PERKO®



- NOTE: 1. ALL RELAYS ARE SHOWN IN THE DE-ENERGIZED POSITION.
 2. DO NOT ALTER 30 FT CABLE LENGTH.
 3. TERMINAL NUMBERS IN SCHEMATIC ARE SHOWN OUT OF SEQUENCE, BUT ARE IN SEQUENCE IN THE S/L HEAD AND POWER SUPPLY.
 4. WIRE NUMBERS SHOWN IN PARENTHESES ARE MARKED ON END OF PIG TAIL CABLE FROM THE S/L HEAD. THESE NUMBERS MATCH TERMINAL NUMBERS ON TB1 IN POWER SUPPLY, BUT DO NOT NECESSARILY MATCH TERMINAL NUMBERS OF TB1 IN S/L HEAD.

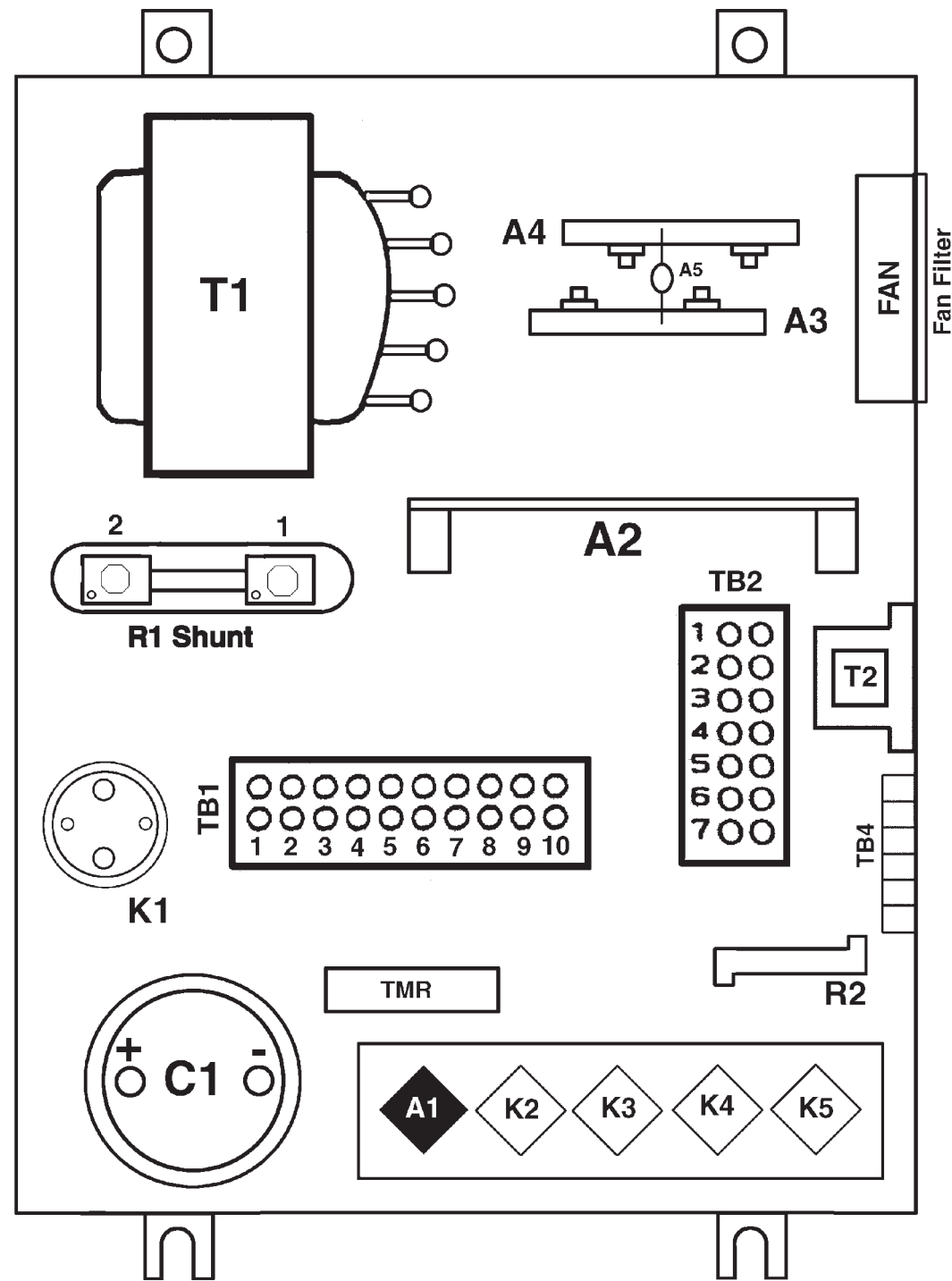
PERKO, INC
 Miami, FL 33169-5707

Drawn By: _____
 Scale: XX :XX
 Revised Date: 2-24-04
 Drawing Number
9304-5-B

Drawing Name:
**XR Series 500 Watt Marine Searchlight (Preliminary)
 with 110 VAC Power Supply**

Schematic Drawing, Sheet 1 of 1

Power Supply: Approx 75 Lbs. 95100220 220VAC



Location	Description	PERKO Part Number	S&T Part Number
A1	Chopper Assembly	9510-020	104C787G2
A4	Rectifier Diode 1N2133	9510-015	S41-801-011
A3	Rectifier Diode 1N2133R	9510-030	S41-801-111
A2	Printed Circuit Board Assembly	9510-025	108B642G1
C1	Filter Capacitor	9510-039	105A988P98
A5	Isolation Capacitor	9510-007	CMR07F203J0DL
Door	15A Circuit Breaker	9511-881	-----
Fan	Cooling Fan	9510-011	110C119FAN
Fan	Cooling Fan Filter	9510-032	104A861P3
K1	MAIN Contactor	9510-002	110A604
K2	Ignite Relay	9510-026	105B053P2
K5	Control Relay	9510-037	103A387P2
K4	FAN Relay	9510-037	103A387P2
K3	Timer Relay	9510-037	103A387P2
Door	Elapsed Time Meter	9510-003	103A351
R1	Shunt Resistor	9510-033	104A636
R2	Resistor	9511-018	-----
T1	Power Transformer (220 VAC)	9511-021	-----
TB1	Terminal Block 10 Term	9510-034	T30-003-010
TB2	Terminal Block 7 Term	9551-038	T30-003007
TB3	Terminal Block 2 Term	0883TBKL	-----
TB6	Terminal Block 6 Term	9551-038	T30-003007
TMR	Timer Assembly	9510-012	109B589
T2	Aux Transformer	9511-022	-----

PERKO, INC

Miami, Fl 33169-5707

Drawn By: _____
 Scale: XX :XX
 Date: 2/24/04
 Drawing Number

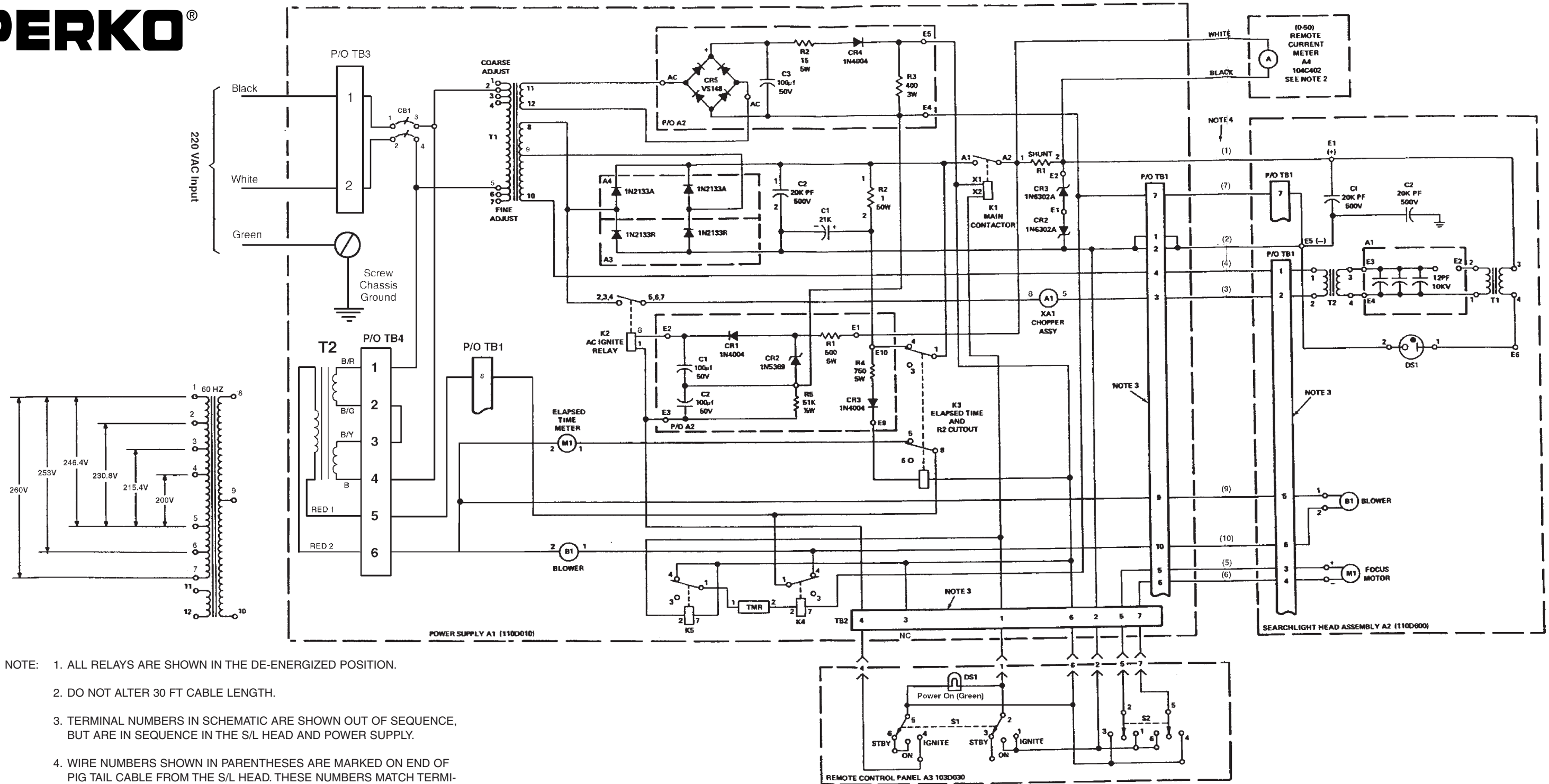
9304-6-B

Drawing Name:

**XR Series 500 Watt Marine Searchlight (Preliminary)
 with 220 VAC Power Supply**

Schematic Drawing, Sheet 1 of 1

PERKO®



- NOTE: 1. ALL RELAYS ARE SHOWN IN THE DE-ENERGIZED POSITION.
2. DO NOT ALTER 30 FT CABLE LENGTH.
3. TERMINAL NUMBERS IN SCHEMATIC ARE SHOWN OUT OF SEQUENCE, BUT ARE IN SEQUENCE IN THE S/L HEAD AND POWER SUPPLY.
4. WIRE NUMBERS SHOWN IN PARENTHESES ARE MARKED ON END OF PIG TAIL CABLE FROM THE S/L HEAD. THESE NUMBERS MATCH TERMINAL NUMBERS ON TB1 IN POWER SUPPLY, BUT DO NOT NECESSARILY MATCH TERMINAL NUMBERS OF TB1 IN S/L HEAD.

PERKO, INC
Miami, FL 33169-5707

Drawn By: _____
Scale: XX :XX
Revised Date: 2/24/04
Drawing Number
9304-7-B

Drawing Name:
**XR Series 500 Watt Marine Searchlight (Preliminary)
with 220 VAC Power Supply**
Schematic Drawing, Sheet 1 of 1